

Packaging & Spooling

Packaging Options

When it comes to packaging, Fort Wayne Metals is very flexible, providing a variety of options. Our packaging ensures that the quality of our wire is protected while en route to our customers.

When it comes to spools, you can specify the spool type you want or let us recommend the one we feel will work best for your specific needs. For additional protection on alloys that are subject to corrosion, spools can be bagged with desiccant packets.

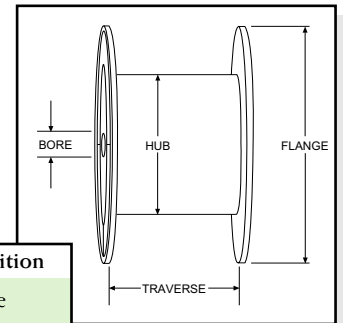
Straightened and cut wire is shipped in PVC tubes or wood crates, depending on the quantity. And as in everything we do, customer satisfaction is our main goal.



Labeling of Spools

An integral part of our packaging process is quality control through spool labeling. Standard information including alloy type, size, lot number, spool net weight, customer purchase order number, date and spool number is listed on each spool (excluding braiding bobbins) before it leaves our premises. To help ensure accurate information, the statistical average of mechanical properties flow directly from internal data collection to labels.

The label also indicates the average break load, ultimate tensile strength and percent elongation of the wire, based on our sampling plan. And you also have the option of having your spools 100% inspected and labeled.



| Spool | Flange | Hub | Traverse | Bore | Weight | Diameter | Spool Composition |
|-------------------------------|--------|-------|----------|-------------|--------|--------------|-------------------|
| 22 x 11 | 22.00 | 14.00 | 11.00 | 5.00 | 500.00 | >=.050 | Polystyrene |
| 18 x 10 | 18.00 | 11.00 | 9.60 | 5.00 | 200.00 | >=.050 | Polystyrene |
| 12 x 6 | 12.00 | 6.00 | 6.00 | 1.30 | 40.00 | >.012 | Lexan/ABS |
| Weld Wire | 11.70 | 8.30 | 3.62 | 2.00 | 20.00 | >.012 | Polyethelene |
| 8 x 6 | 8.00 | 4.60 | 6.00 | 1.20 | 20.00 | >.012 | ABS |
| 6 x 3.5 | 6.00 | 3.50 | 3.50 | .62 | 10.00 | .004 - .0199 | ABS |
| 4.5 x 3 | 4.50 | 2.50 | 3.00 | .62 | 5.00 | .003 - .010 | ABS |
| 2.5 x 3 | 2.50 | 1.70 | 3.00 | .62 | 1.00 | <=.003 | ABS |
| DIN 80 | 3.20 | 2.00 | 2.50 | .63 | 1.00 | <=.003 | ABS |
| DIN 100 | 3.90 | 2.50 | 3.10 | .63 | 3.00 | .003 - .005 | ABS |
| DIN 125 | 4.90 | 3.10 | 3.90 | .63 | 5.00 | .004 - .010 | ABS |
| DIN 160 | 6.30 | 3.90 | 5.00 | .87 | 10.00 | .010 - .020 | ABS |
| DIN 250 | 9.80 | 6.30 | 6.30 | .87 | 20.00 | >.012 | ABS |
| Wardwell Bobbin | 2.60 | 1.30 | 2.80 | 1.10 Spline | .50 | <=.003 | Nylon |
| Steegeer Braider Bobbin | 1.56 | .62 | 1.10 | .41 | .25 | <=.003 | ABS |
| New England #2 Braider Bobbin | 1.70 | .62 | 2.50 | .30 | .50 | <=.003 | Nylon |

All dimensions shown are in inches.