

Packaging & Spooling

Packaging Options

When it comes to packaging, Fort Wayne Metals is very flexible, providing a variety of options. Our packaging ensures that the quality of our wire is protected while en route to our customers.

When it comes to spools, you can specify the spool type you want, or let us recommend the one we feel will work best for your specific needs. For additional protection on alloys that are subject to corrosion, spools can be bagged with desiccant packets.

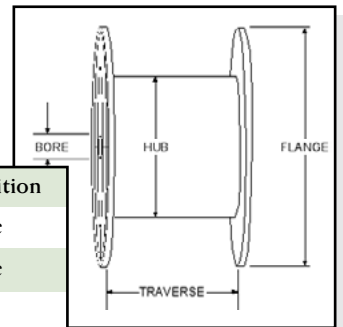
Straightened and cut wire is shipped in PVC tubes or wood crates, depending on the quantity. And as in everything we do, customer satisfaction is our main goal.



Labeling of Spools

An integral part of our packaging process is quality control through spool labeling. Standard information including alloy type, size, lot number, spool net weight, customer purchase order number, date and spool number is listed on each spool (excluding braiding bobbins) before it leaves our premises. To help ensure accurate information, the statistical average of mechanical properties flows directly from internal data collection to labels.

The label also indicates the average break load, ultimate tensile strength and percent elongation of the wire, based on our sampling plan. And you also have the option of having your spools 100% inspected and labeled.



Spool	Flange	Hub	Traverse	Bore	Weight	Diameter	Spool Composition
22 x 11	22.00	14.00	11.00	5.00	500.00	>=.050	Polystyrene
18 x 10	18.00	11.00	9.60	5.00	200.00	>=.050	Polystyrene
12 x 6	12.00	6.00	6.00	1.30	40.00	>.012	Lexan/ABS
Weld Wire	11.70	8.30	3.62	2.00	20.00	>.012	Polyethelene
8 x 6	8.00	4.60	6.00	1.20	20.00	>.012	ABS
6 x 3.5	6.00	3.50	3.50	0.62	10.00	.004 - .0199	ABS
4.5 x 3	4.50	2.50	3.00	0.62	5.00	.003 - .010	ABS
2.5 x 3	2.50	1.70	3.00	0.62	1.00	<=.003	ABS
DIN80	3.20	2.00	2.50	0.63	1.00	<=.003	ABS
DIN100	3.90	2.50	3.10	0.63	3.00	.003 - .005	ABS
DIN125	4.90	3.10	3.90	0.63	5.00	.004 - .010	ABS
DIN160	6.30	3.90	5.00	0.87	10.00	.010 - .020	ABS
DIN250	9.80	6.30	6.30	0.87	20.00	>.012	ABS
Wardwell Bobbin	2.60	1.30	2.80	1.10 Spline	0.50	<=.003	Nylon
Steeger Bobbin: Large Hub	1.57	1.18	1.02	0.41	0.11	<=.003	ABS
Steeger Bobbin: Medium Hub	1.69	1.02	1.02	0.41	0.25	<=.003	ABS
New England #2 Braider Bobbin	1.70	0.62	2.50	0.30	0.50	<=.003	Nylon

All dimensions shown are in inches.

Custom Spooling

Another option is custom spooling. We have the ability to custom spool any specific length of wire. In addition, we can adapt our equipment to work in conjunction with any custom spool you supply.

Ecological and Financial

Return on Investment

In order to minimize ecological and financial costs to both our environment and our customers, we've implemented a spool return policy. We'll refund 50% of the deposit on all spools returned to us in good condition, freight prepaid. Most of our spools are made using a virgin ABS (Acrylonitrile Butadiene Styrene). This is the strongest, most consistent dimensionally of all polymer spools. However, if returned spools are unfit for reuse, they're returned to the spool manufacturer to be ground up and used in other spool manufacturing.

We'll also accept any broken or bad spools as a part of our recycling program. This program recycles the various spool compositions to the manufacturers in order to reduce the number of recyclable products being taken to landfills. All of our packaging is now manufactured using recycled cardboard and is printed with water-soluble inks.